



Fonderie Sime S.p.A. - Via Garbo, 27 - 37045 Legnago (VR) - www.sime.it
Tribunale Verona 13531 - R.E.A. VR 171357 - C.C.P. 19423375 - N° Mecc. VR 014435
Capitale Sociale Euro 5.521.200 int. versato - Codice Fiscale/Partita IVA n. IT 01275930236

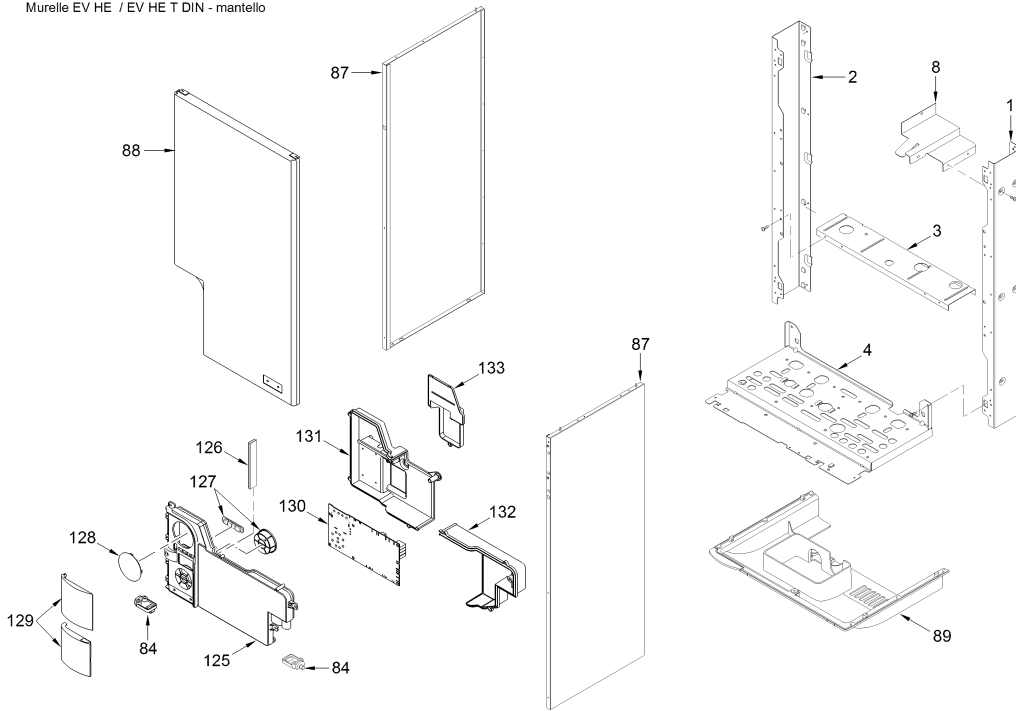
Comfort Ambiente - Via Garbo, 27 - 37045 Legnago (VR)

Tel +39 0442 631111 - Fax Servizio Commerciale: Italia +39 0442 631291 - Estero +39 0442 631293

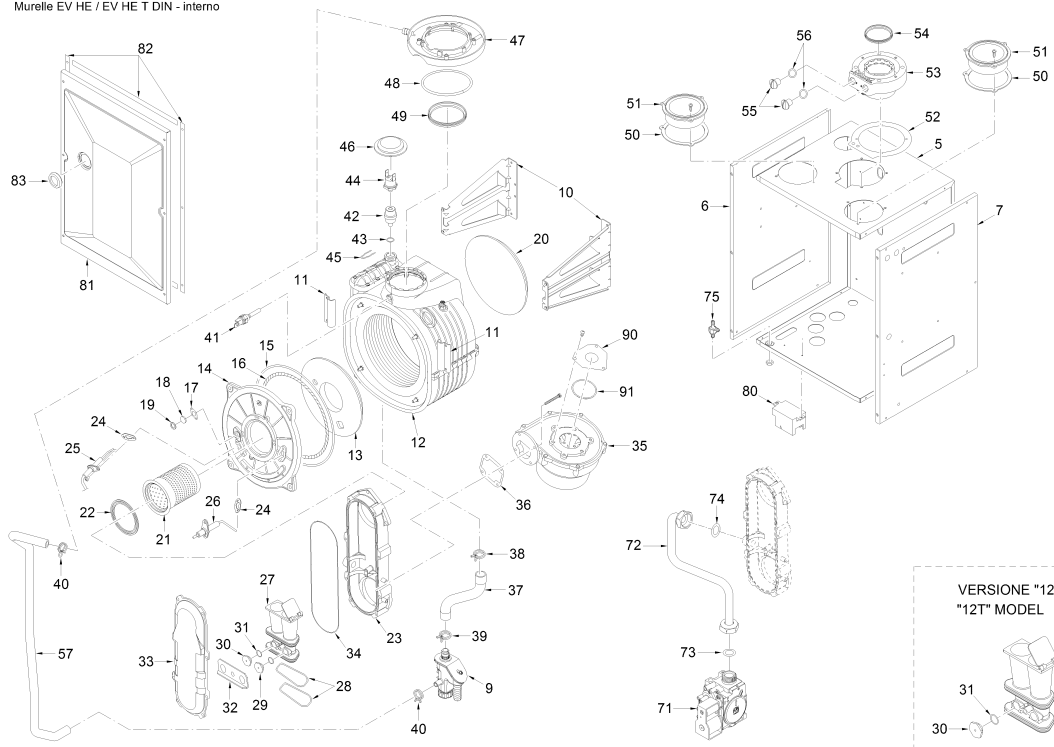
Fax Servizio Tecnico +39 0442 631292 - Fax Ufficio Acquisti +39 0442 631292 - Fax Amministrazione +39 0442 631336

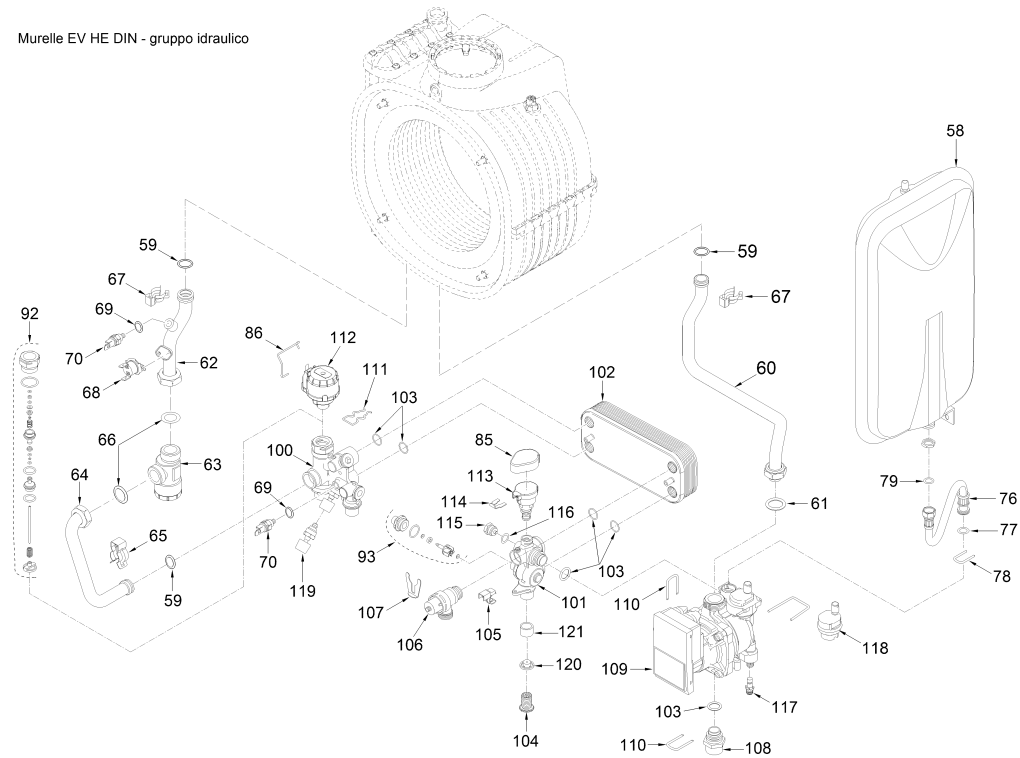
8112302 CALD.MUR.MET.MURELLE EV HE 30

Murelle EV HE / EV HE T DIN - mantello



Murelle EV HE / EV HE T DIN - interno





Posiz.	Codice	Descrizione	
001	6138533	Right hand side frame part	
002	6138632	Left hand side frame part	
003	6255431	Expansion vessel lower support	
004	6318070	Frame assembly lower side	
005	6266074	Sealed chamber rear panel	
006	6266152	Sealed chamber left hand side p	
007	6266153	Sealed chamber right hand side	
008	6189589	Expansion vessel fixing bracket	
009	6277205	Water trap	
010A	6010833	Main exchanger supporting brack	
011	6010829	Main exchanger fixing bracket	
012A	6278912	Main exchanger body	
013	6269008	Main exchanger door insulation	
014	5188361	Main exchanger door	
015	6248870	Combustion chamber O-ring	
016	6248871	Glass fibre sealing cord	
017	6311810	Glass fixing flange	
018	6020103	Sight glass	
019	6248872	Sight glass gasket	
020	6281545	Replacement rear insulat. kit	
021	6278359	Premix burner	
022	6174823	Gasket for burner flange	
023	6278813	Air-gas hose lower side	
024	6174809	Gasket for ignition electrode	
025	6221632	Ignition electrode	
026	6221623	Ionisation electrode	
027A	6274370	Mixer	
028	6226470	ORing 52,07 x 2,62	
029B	6322300	Round nozzle Ø 2,80	MET
030B	6322350	Hexagonal nozzle Ø 3,80	MET
031	6226403	O-ring 2031	
032	6267119	Nozzle locking bracket	
033	6278812	Air-gas hose upper side	
034	6226465	O-ring Ø 183,83x2,62	
035	6261408	Fan	
036	6174816	Gasket for fan flange	
037	6034155	Condensate drainage pipe	
038	2051123	Clamp diam. 24,2	
039	2051122	Clamp diam. 22,1	
040	2051120	Clamp diam. 17,3	
041	6277130	Probe NTC D.4X40	
042	6112330	Bush thermostatic	
043	6226464	O-ring 115 diam. 11,91x2,62	
044	6146728	Limit stat auto reset 80°C	
045	6226624	Spring air vent knob	
046	6226754	Rubber plug	

047	6288010	Size pick up condensate
048	6226451	O-Ring type
049	6248828	Air inlet gasket Ø80
050	6028707	Air intake gasket
051	6288000	Air intake
052	6028710	Air/smoke manifold gasket
053	6287912	Air/smoke manifold
054	6248817	Lip seal for Ø 60 pipe
055	6147409	Air/smoke manifold plug M14x1.5
056	6226417	O-ring 3043
057	1010215	Rubber pipe dia. 15x2,5
058A	5183722	Rectang. expansion vessel 10 l.
059	6226412	O-ring 3068
060	6227461	C.H. return pipe
061	2030257	Gasket diam. 30x22x3
062	6277723	Pipe connect. exchanger-C.H fil
063	6295501	C.H. filter 3/4" M x 3/4" M
064	6277794	Pipe connect. C.H. filter-C.H.
065	6226601	Spring for heat exchanger conne
066	2030252	Piracriten gasket Ø 16x24,5x2
067	6226619	Spring for heat exchanger conne
068	6146701	100°C safety stat
069	6022010	Sensor gasket
070	6231351	Plunged sensor
071	6243823	Gas valve type
072A	6277447	Pipe connecting gas valve-mixer
073	2030228	Gasket Ø 17x24x2
074	2030255	Gasket Ø 12,5x18,5x3
075	6280590	Three way fitting + cap kit
076	6017405	Flexible pipe M.F. 3/8" L=300
077	6226476	ORing diam.15x2
078	6226643	Pipe fixing spring
079	2030226	Gasket Ø 10,2x14,8x2
080	6098315	Ignition transformer
081	6288314	Sealed chamber front panel
082	5192200	Gasket for sealed chamber
083	6001210	Peephole
084	6302000	Plastic pin
085	6319650	Bitron transducer cap
086	6226638	Divertor valve motor spring cli
087	6304430	casing left/right side panel
088	6304231	Casing front panel
089	6269534	Fittings protection
090	6028646	Air diaphragm
091	6226410	O-Ring Ø 63 x 3
092	6319645	Three-way plates group
093	6319644	Flowmeter group
100	6265870	C.H. flow manifold
101	6265830	C.H. return manifold
102A	6265657	14 plate-type heat exchanger
103	6226475	ORing diam.18,64x3,53
104	6222003	D.H.W. filter
105	6131440	Flowmeter sensor
106	6040225	Pressure relief valve 1/2" 3 ba
107	6226645	Spring clip
108	6120560	Pump nipple 3/4"
109	6272343	Circulating pump
110	6226644	Spring clip for rotating connec
111	6226636	D.H.W. elektrovalve fix.spring
112	6087332	Motor for diverting valve
113	6273608	Water pressure transducer
114	6226639	Spring clip
115	6147401	Plug 1/4"
116	2030225	Gasket Ø 5,5x11x2
118	6013182	Automatic air vent
119	6319639	Filling cock
125	6304700	Control panel
126	6305160	Guidelight with led
127	6305120	Kit Rubber button
128	6247327	Cap for time programmer
129	6304890	Flap door assembly
130	6301416	Main PCB
131	6305000	Cover
132	6305010	connection cover
133	6305020	Time programmer cover
701	6281534	Gaskets kit
702	6319695	Murelle-Format-.....o-ring kit

703	6211794	Peephole kit
705	5197105	Complete control panel
706	6186587	Ionisation electrode cable
707	6245377	Circulating pump connector
708	6316213	3 pole cable connector CN14
709	6316280	4 pole cable connector CN12
710	6316282	5+4+2 pole cable connector
711	6319145	9 pole female cable connector
712	6316295	4 pole cable connector
713	6323885	14 pole cable connector
714	6316202	Connector 4 poli
715	6316203	Connector 4 poli CN4
716	6316204	Connector 8 poli CN7
717	5185139	Conversion kit to LPG
722	6319700	Springs / clamps kit DIN