



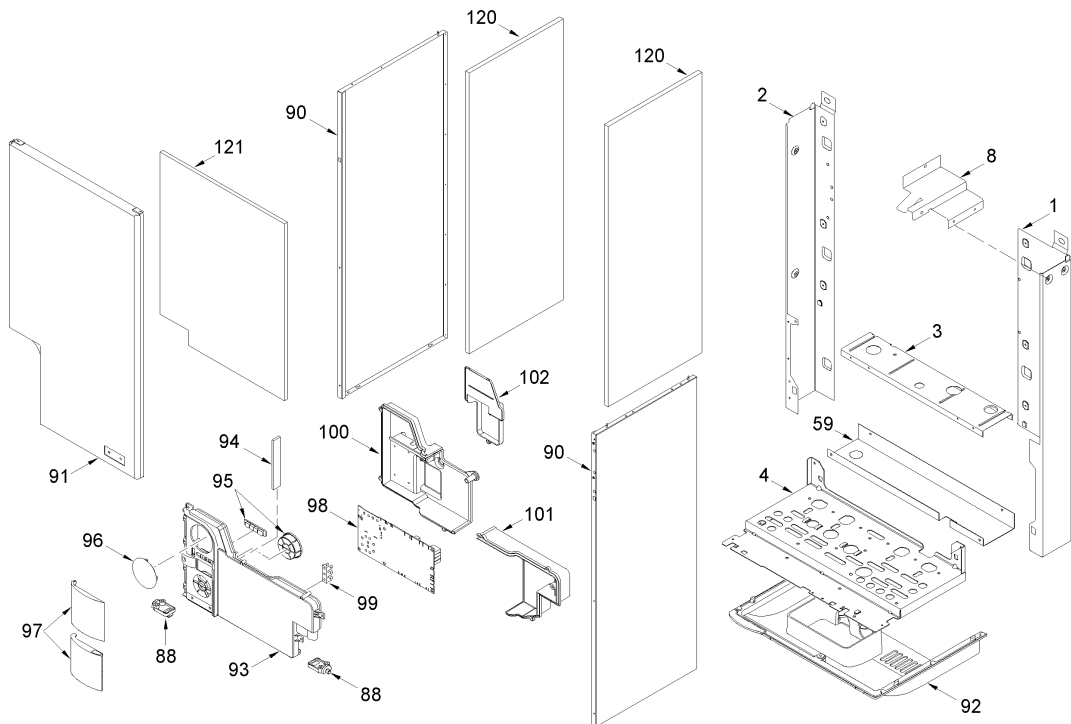
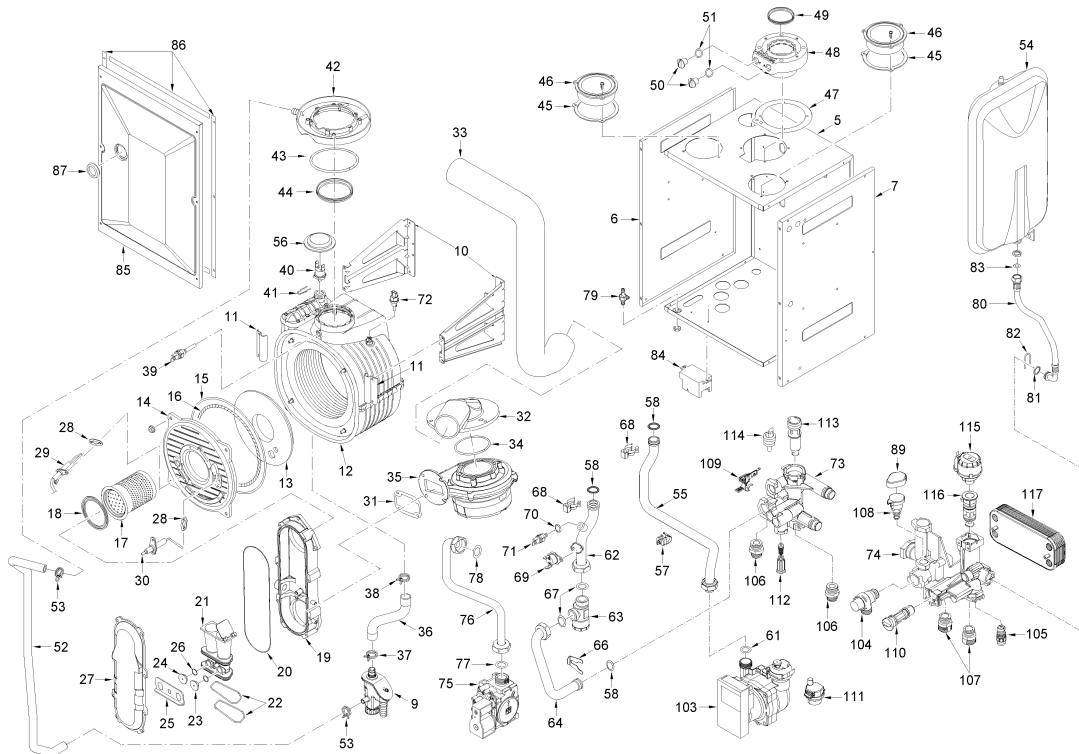
Fonderie Sime S.p.A. - Via Garbo, 27 - 37045 Legnago (VR) - www.sime.it
 Tribunale Verona 13531 - R.E.A. VR 171357 - C.C.P. 19423375 - N° Mecc. VR 014435
 Capitale Sociale Euro 5.521.200 int. versato - Codice Fiscale/Partita IVA n. IT 01275930236

Comfort Ambiente - Via Garbo, 27 - 37045 Legnago (VR)

Tel +39 0442 631111 - Fax Servizio Commerciale: Italia +39 0442 631291 - Estero +39 0442 631293

Fax Servizio Tecnico +39 0442 631292 - Fax Ufficio Acquisti +39 0442 631292 - Fax Amministrazione +39 0442 631336

8110524 CALD.MUR.MET.MURELLE HM 35



Posiz.	Codice	Descrizione
001	6138533	Right hand side frame part
002	6138632	Left hand side frame part
003	6255431	Expansion vessel lower support
004	6138894	Frame assembly lower side
005	6266074	Sealed chamber rear panel

006	6266152	Sealed chamber left hand side p	
007	6266153	Sealed chamber right hand side	
008	6189589	Expansion vessel fixing bracket	
009	6277210	Water trap	
010B	6010831	Main exchanger supporting brack	
011	6010829	Main exchanger fixing bracket	
012B	6278910	Main exchanger body	
013	6269008	Main exchanger door insulation	
014	6278853	Main exchanger door	
015	6248861	Combustion chamber O-ring	
016	6248860	Glass fibre sealing cord	
017A	6278357	Burner	
018	6174823	Gasket for burner flange	
019	6278813	Air-gas hose lower side	
020	6226465	O-ring Ø 183,83x2,62	
021B	5200301	Air/gas mixer assembly	
022	6226470	ORing 52,07 x 2,62	
023B	6322300	Round nozzle Ø 2,80	30 MET / 35 GPL
023D	6322303	Round nozzle Ø 3,50	35 MET
024D	6322353	Hexagonal nozzle Ø 4,00	35 MET
024E	6322354	Hexagonal nozzle Ø 3,00	35 GPL
025	6267119	Nozzle locking bracket	
026	6226403	O-ring 2031	
027	6278812	Air-gas hose upper side	
028	6174809	Gasket for ignition electrode	
029	6221632	Ignition electrode	
030	6221623	Ionisation electrode	
031	6174816	Gasket for fan flange	
032	6034305	Elbow flange	
033	6001151	Air intake pipe 39	
034	6226410	O-Ring Ø 63 x 3	
035A	6261405	Fan	
036	6034155	Condensate drainage pipe	
037	2051122	Clamp diam. 22,1	
038	2051123	Clamp diam. 24,2	
039	6277130	Probe NTC D.4X40	
040	6146728	Limit stat auto reset 80°C	
041	6226624	Spring air vent knob	
042	6288010	Size pick up condensate	
043	6226451	O-Ring type	
044	6248828	Air inlet gasket Ø80	
045	6028707	Air intake gasket	
046	6288000	Air intake	
047	6028710	Air/smoke manifold gasket	
048	6287912	Air/smoke manifold	
049	6248817	Lip seal for Ø 60 pipe	
050	6147409	Air/smoke manifold plug M14x1.5	
051	6226417	O-ring 3043	
052	1010215	Rubber pipe dia. 15x2,5	
053	2051120	Clamp diam. 17,3	
054A	5183722	Rectang. expansion vessel 10 l.	
055	6227436	C.H. return pipe	
056	6226754	Rubber plug	
057	6231360	Temperature sensor	
058	6226412	O-ring 3068	
059	6138898	Frame assembly lower side	
061	6226457	O-ring 12bis diam. 16x1,90	
062A	6277721	Pipe connect. exchanger-C.H fil	
063	6295501	C.H. filter 3/4" M x 3/4" M	
064	6277728	Pipe connect. C.H. filter-C.H.	
066	6226626	Pipe fixing spring	
067	2030252	Piracriten gasket Ø 16x24,5x2	
068	6226619	Spring for heat exchanger conne	
069	6146701	100°C safety stat	
070	6022010	Sensor gasket	
071	6231351	Plunged sensor	
073	6319680	D.H.W. Technyl manifold group	
074	6319681	C.H. Technyl manifold group	
075	6243837	Gas valve	
076B	6277423	Pipe connecting gas valve-mixer	
077	2030228	Gasket Ø 17x24x2	
078	2030255	Gasket Ø 12,5x18,5x3	
079	6280590	Three way fitting + cap kit	
080	6017312	Flexible pipe	
081	6226464	O-ring 115 diam. 11,91x2,62	
082	6226627	Expansion vassel fixing spring	
083	2030226	Gasket Ø 10,2x14,8x2	

084	6098315	Ignition transformer
085	6288314	Sealed chamber front panel
086	5192206	Gasket for sealed chamber
087	6001210	Peephole
088	6302000	Plastic pin
089	6319650	Bitron transducer cap
090	6304430	casing left/right side panel
091	6304231	Casing front panel
092	6269531	Fittings protection
093	6304700	Control panel
094	6305160	Guidelight with led
095	6305120	Kit Rubber button
096	6247327	Cap for time programmer
097	6304890	Flap door assembly
098	6301480	Main PCB
099	2211610	Earth faston
100	6305000	Cover
101	6305010	connection cover
102	6305020	Time programmer cover
103	6272320	Modulating circulating pump
104	6040211	Pressure relief valve 3 bar
105	6319603	Discharger cock
106	6120532	D.H.W. Nipple
107	6120533	C.H Nipple
108	6273608	Water pressure transducer
109	6319601	Sensor hall complete
110	6319641	By-pass 2 (new)
111	6013182	Automatic air vent
112	6319634	Filling cock
113	6319633	Flowmeter without reg. of capac
114	6231364	Plunged sensor
115	6319620	Divertor valve motor
116	6319625	Diverting valve body
117A	6319692	Kit 18 plate heat exchanger + o
120	6087508	Insulator panel
121	6087509	Casing front insulation
701	6127214	Main cable L=1500
702	6186587	Ionisation electrode cable
703	6256613	Earth cable 500+250
704	6316213	3 pole cable connector CN14
705	6316280	4 pole cable connector CN12
708	6316274	4 pole cable connector CN9
710	6316202	Connector 4 poli CN6
711	6316203	Connector 4 poli CN4
712	6316204	Connector 8 poli CN7
713	5198690	Technyl hydraulic group
714	6319699	Split pin kit for hydraulic gro
715	6319698	O-ring kit for hydraulic group
718	6028605	Smoke outlet diaphragm Ø40
721	5185140	Conversion kit to LPG
722	5197103	Complete control panel
723	6319145	9 pole female cable connector
724	6319146	5+4 pole female cable connect.
725	6319147	Modul.pump 3 pole female connec
726	6319148	14 pole female cable connect.
727	6316259	5 pole cable connector
728	6316200	Connector 2 poli
729	6316201	Connector 4 poli
730	6226638	Divertor valve motor spring cli