



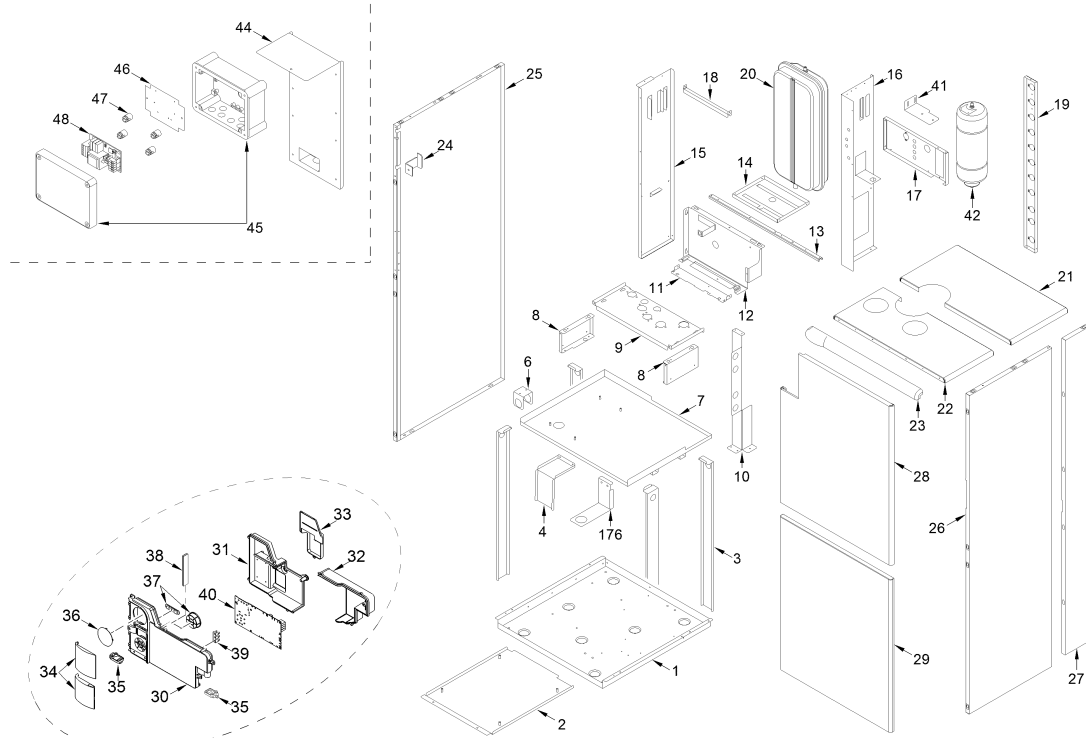
Fonderie Sime S.p.A. - Via Garbo, 27 - 37045 Legnago (VR) - www.sime.it
 Tribunale Verona 13531 - R.E.A. VR 171357 - C.C.P. 19423375 - N° Mecc. VR 014435
 Capitale Sociale Euro 5.521.200 int. versato - Codice Fiscale/Partita IVA n. IT 01275930236

Comfort Ambiente - Via Garbo, 27 - 37045 Legnago (VR)

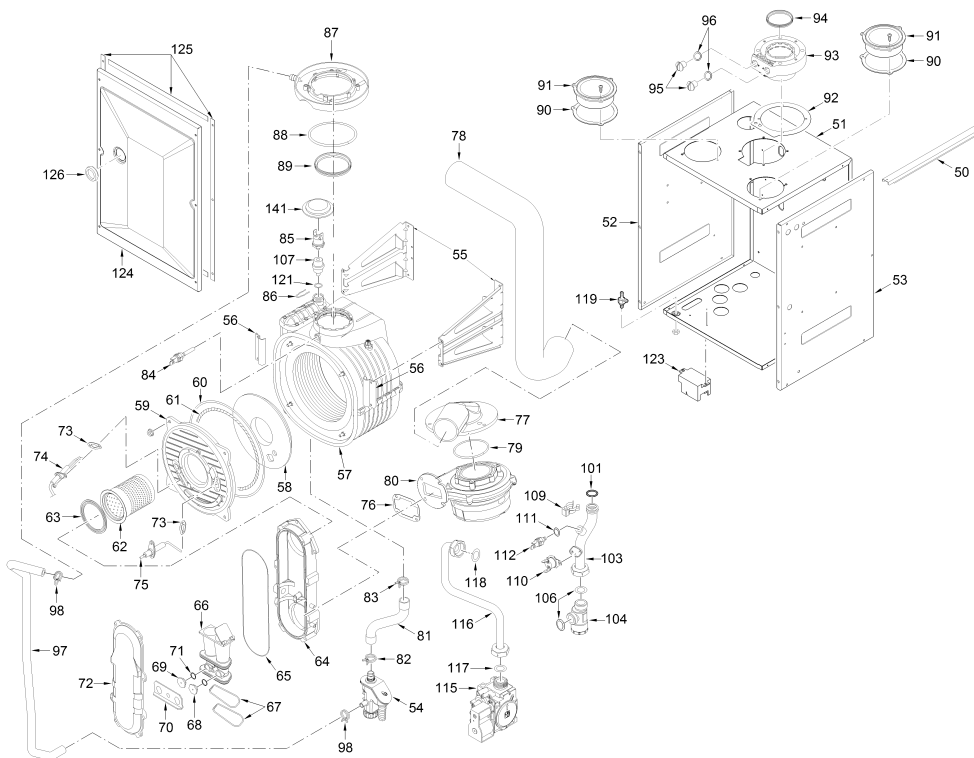
Tel +39 0442 631111 - Fax Servizio Commerciale: Italia +39 0442 631291 - Estero +39 0442 631293

Fax Servizio Tecnico +39 0442 631292 - Fax Ufficio Acquisti +39 0442 631292 - Fax Amministrazione +39 0442 631336

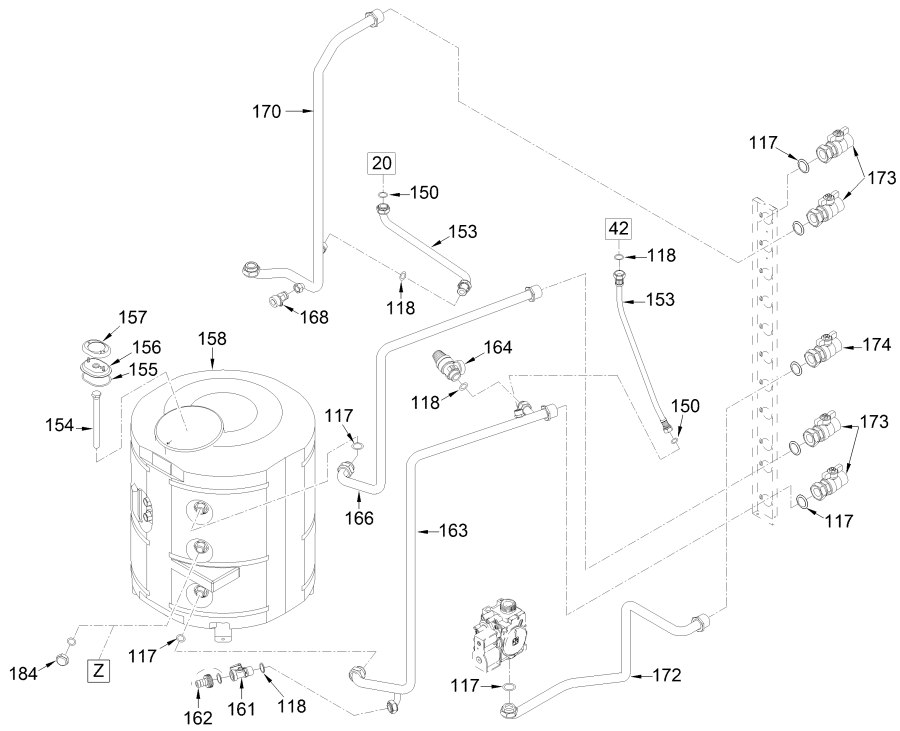
8111321 ATLANTIS HM 30/110 ErP



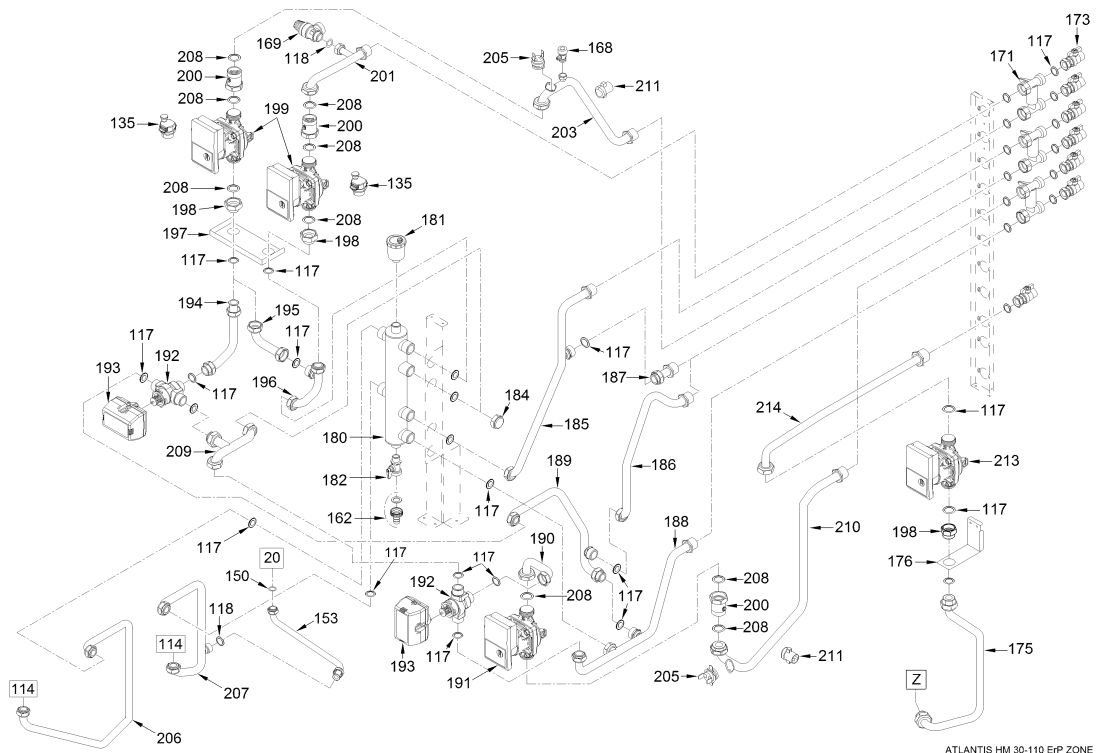
ATLANTIS HM 30/110 ErP mantello



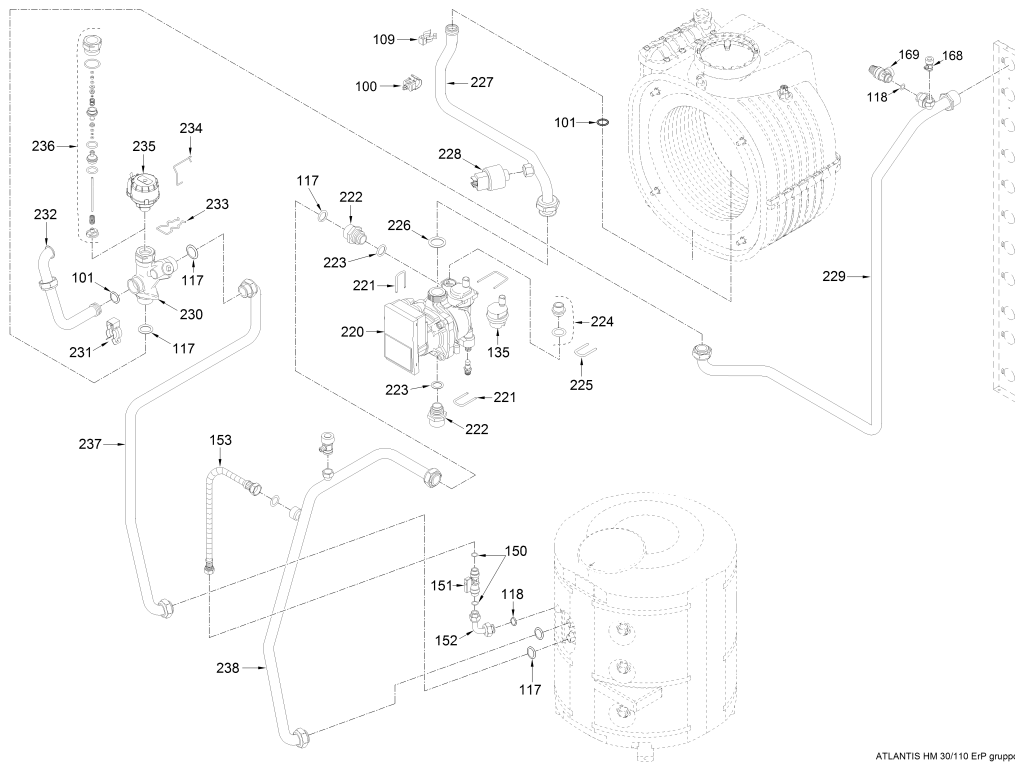
ATLANTIS HM 30/110 ErP interno



ATLANTIS HM 30-110 ErP impianto



ATLANTIS HM 30-110 ErP ZONE



ATLANTIS HM 30/110 ErP gruppo idraulico

ATTENTION: use only original spare parts. Failure to comply with the above may compromise the safety of the device and the immediate forfeiture of the warranty.

Position	Code	Description	Where used	Advised parts	Price list
001	6261585	Tray			127.62
002	6258720	Lower supporting bracket			51.06
003	6292640	Frame part			28.62
004	6293004	Boiler frame-DHW tank fix.brack			14.0
006	6052408	Loading bracket			5.72
007	6073370	Boiler fixing bracket			100.87
008	6267143	Right/left bracket			9.72
009	6267192	Hydraul.group supp.bracket DIN			0.0
010	6267140	Bracket			18.85
011	6250021	Rotation control panel bracket			14.57
012	6267138	Rotation control panel bracket			51.06
013	6256737	Spacer			5.35
014	6267134	Bracket			13.37
015	6267135	Bracket			30.37
016	6267136	Bracket			40.12
017	6267139	Rear jig			17.63
018	6267144	Bracket			7.54
019	6267137	Bracket			30.37
020	5183720	Rectang. expansion vessel 10 l.			61.83
021	6323711	Casing rear cover			55.38
022	6323701	Casing cover front panel			55.38
023	6282110	Section casing top cover L=599			19.45
024	6267142	Bracket			6.08
025	6323411	Casing left hand side panel			98.61
026	6323511	Casing right hand side panel			67.54
027	6323516	Casing right hand side panel			59.41
028	6323601	Casing front upper door			58.75
029	6323611	Casing front upper door			48.25
030	6304700	Control panel			18.42
031	6305000	Cover			7.91
032	6305010	connection cover			7.91
033	6305020	Time programmer cover			7.91
034	6304890	Flap door assembly			11.83
035	6302000	Plastic pin			5.24
036	6247327	Cap for time programmer			5.24
037	6305120	Kit Rubber button			17.09
038	6305160	Guidelight with led		A	18.42
039	2211610	Earth faston			2.63
040	6301480	Main PCB		A	243.34
041	6189512	D.H.W. expansion vessel fixing			6.57
042	6245104	D.H.W. expansion vessel l. 4			48.67
044	6256728	Bracket kits areas			19.45
045	6002714	Junction box			11.83
046	6010854	Small board fixing bracket			21.03

047	2213230	Spacer h=6.4			0.9
048	6301410	Main PCB	A		165.2
050	6267145	Fixing bracket			5.22
051	6266074	Sealed chamber rear panel			21.03
052	6266152	Sealed chamber left hand side p			19.73
053	6266153	Sealed chamber right hand side			19.73
054	6277210	Water trap			18.53
055	6010833	Main exchanger supporting brack			11.83
056	6010829	Main exchanger fixing bracket			5.24
057	6278912	Main exchanger body			647.09
058	6269008	Main exchanger door insulation			18.42
059	5188361	Main exch.door+gasket+peephole			66.07
060	6248870	Combustion chamber O-ring			5.57
061	6248871	Glass fibre sealing cord			5.45
062	6278359	Premix burner			44.71
063	6174823	Gasket for burner flange			5.24
064	6278813	Air-gas hose lower side			26.31
065	6226465	O-ring Ø 183,83x2,62			23.67
066	5200300	Air/gas mixer assembly			21.03
067	6226470	ORing 52,07 x 2,62			1.28
068	6322300	Round nozzle Ø 2,80	MET		10.53
068A	6322302	Round nozzle Ø 2,20	GPL		10.53
069	6322350	Hexagonal nozzle Ø 3,80	MET		10.53
069A	6322352	Hexagonal nozzle Ø 2,90	GPL		10.53
070	6267119	Nozzle locking bracket			2.63
071	6226403	O-ring 2031			0.9
072	6278812	Air-gas hose upper side			13.13
073	6174809	Gasket for ignition electrode			2.63
074	6221632	Ignition electrode	A		32.88
075	6221623	Ionisation electrode	A		19.17
076	6174816	Gasket for fan flange			1.3
077	6034305	Elbow flange			5.24
078	6001151	Air intake pipe 39			13.13
079	6226410	O-Ring Ø 63 x 3			1.3
080	6261408	Fan	A		222.27
081	6034155	Condensate drainage pipe			6.57
082	2051122	Clamp			0.68
083	2051123	Clamp diam.			0.68
084	6277130	Probe NTC D.4X40	A		19.73
085	6146728	Limit stat auto reset 80°C	A		10.53
086	6226624	Spring air vent knob			10.53
087	6288010	Size pick up condensate			6.57
088	6226451	O-Ring type			10.53
089	6248828	Air inlet gasket Ø80			5.24
090	6028707	Air intake gasket			1.3
091	6288000	Air intake			7.91
092	6028710	Air/smoke manifold gasket			5.24
093	6287912	Air/smoke manifold			22.37
094	6248817	Lip seal for Ø 60 pipe			7.91
095	6147409	Air/smoke manifold plug M14x1.5			2.63
096	6226417	O-ring 3043			0.9
097	1010215	Rubber pipe dia. 15x2,5			13.13
098	2051120	Clamp diam. 17,3			1.3
100	6231360	Temperature sensor	A		13.13
101	6226412	O-ring 3068			1.3
103	6277723	Pipe connect. exchanger-C.H fil			17.09
104	6295501	C.H. filter 3/4" M x 3/4" M			11.83
106	2030252	Piracriten gasket Ø 16x24,5x2			0.68
107	6112330	Bush thermostatic			19.17
109	6226619	Spring for heat exchanger conne			5.24
110	6146701	100°C safety stat	A		13.13
111	6022010	Sensor gasket			1.3
112	6231351	Plunged sensor	A		10.53
115	6243837	Gas valve	A		102.66
116	6277421	Pipe connecting gas valve-mixer			18.42
117	2030228	Gasket Ø 17x24x2			0.68
118	2030255	Gasket Ø 12,5x18,5x3			0.68
119	6280590	Three way fitting + cap kit			5.74
123	6098315	Ignition transformer	A		18.42
124	6288314	Sealed chamber front panel			22.37
125	5192206	Gasket for sealed chamber			17.09
126	6001210	Peephole			6.57
135	6013182	Automatic air vent	A		17.09
141	6226754	Rubber plug			7.91
150	2030226	Gasket Ø 10,2x14,8x2			0.68
151	6146601	Boiler loop 3/8"			13.13
152	6144123	Filling pipe			13.37

154	6072708	Magnesium anode + plug 3/4" + O		27.61
155	6052705	Gasket for D.H.W. cylinder flan		13.13
156	6258315	D.H.W. tank flange		23.67
157	6258316	D.H.W. tank counterflange		15.77
158	5192710	Inox D.H.W. cylinder l. 110		1180.79
161	6179101	Drain cock 1/2"		0.0
162	6179200	Holder complete with locking nu		5.24
163	6204013	D.H.W. inlet pipe		65.63
164	6029000	Pressure relief valve 1/2" - 7	A	13.13
166	6204117	D.H.W. outlet pipe		22.51
168	6017202	Manual air vent 1/4" type 337		7.91
169	6040200	Pressure relief valve 1/2" 3 ba	A	14.47
170	6292204	C.H. return pipe		79.31
171	6270910	By-pass group		29.8
172	6195208	Gas inlet pipe		30.37
173	6177515	Ball cock 3/4" MF		19.73
174	6177516	Gas cock 3/4"		18.42
175	6297202	Conn.D.H.W. tank-recircul.pipe		30.37
176	6052409	Pump supporting bracket		10.09
180	6291920	Delivery/return manifold		120.51
181	6013100	Automatic air vent 3/8"		15.77
182	6179100	Drain cock 3/8"		13.13
184	6229550	Plug 3/4"		5.24
185	6293106	C.H. return pipe		26.78
186	6293109	C.H. return pipe		18.54
187	6293108	C.H. return pipe		16.42
188	6293107	C.H. return pipe		25.75
189	6264939	Mixer valve connecting pipe		25.52
190	6215820	Divertor valve-circ. pump pipe		10.53
191	6272362	Modulating circulating pump		262.36
192	6087305	3/4" mixer valve body		106.52
193	6087306	3/4" mixer valve engine		119.68
194	6264937	Mixer valve connecting pipe		12.15
195	6264938	Flow pipe		9.49
196	6215824	Manifold - pump conn.pipe		26.74
197	6267141	Bracket		6.93
198	6104713	Tap/female 1" reduction		21.03
199	6272325	Modulating circulating pump		269.23
200	6238303	Non return valve 1"Mx1"F		13.13
201	6293305	Flow pipe		17.02
203	6293307	Flow pipe		29.17
205	6146719	50cC safety stat	A	13.13
206	6264958	Flow pipe		0.0
207	6264943	C.H. return pipe		17.97
208	2030229	Gasket Ø 22x30x2		0.68
209	6215823	Mixer valve connecting pipe		15.8
210	6293306	Flow pipe		22.51
211	6231352	Temperature sensor	A	13.13
213	6272327	Modulating circulating pump		320.09
214	6297305	Conn.recirc.pump-fix.jig pipe		0.0
220	6272323	Modulating circulating pump		242.34
221	6226644	Spring clip for rotating connec		0.62
222	6120560	Pump nipple 3/4"		10.95
223	6226475	ORing diam.18,64x3,53		0.32
224	6119374	Tap + or		7.47
225	6226643	Pipe fixing spring		0.99
226	2030257	Gasket diam. 30x22x3		3.3
227	6227478	C.H. return pipe		0.0
228	6273603	Water press.transd. HUBA CONTR		43.4
229	6292118	Flowing pipe to C.H. system		0.0
230	6265890	Flowing to C.H. system manifold		53.49
231	6226601	Spring for heat exchanger conne		2.63
232	6277794	Pipe connect. C.H. filter-C.H.		12.75
233	6226636	D.H.W. elektrovalve fix.spring		1.27
234	6226638	Divertor valve motor spring cli		2.42
235	6087332	Motor for diverting valve	A	32.24
236	6319645	Three-way plates group	A	16.42
237	6149014	D.H.W. storage tank flow pipe		0.0
238	6264956	D.H.W. storage tank return pipe		0.0
700	5200901	Complete control panel DIN	TO SN 4936300681	0.0
701	6316213	3 pole cable connector CN14		9.21
702	6316202	Connector 4 poli CN6		6.57
703	6316203	Connector 4 poli CN4		6.57
704	6316204	Connector 8 poli CN7		9.21
705	6186587	Ionisation electrode cable		6.57
706	6277101	External temperature sensor	A	32.83

707	6281534	Gaskets kit		24.99
708	6319695	Murelle-Format-.....o-ring kit		9.21
709	5185139	Conversion kit to LPG		21.03
710	6319155	2 pole cable connector		5.24
711	6319163	3 pole cable connector		10.87
712	6299991	4 pole cable connector		11.83
713	6319196	9+5+4 cable connector	TO SN	26.67
714	6319195	3 pole cable connector		14.54
715	6316200	Connector 2 poli		5.24
716	6231331	D.H.W. tank sensor B1	A	17.09
717	5197130	Complete control panel 1A+1B		255.22
718	6319113	5 pole cable connector		13.13
719	6278699	Circulating pump connec.L=720		10.53
720	6260988	3 pole cable connector		10.53
721	6245372	Temper. sensor connector L=700		5.24
722	6245329	Stat connector L=1000		9.21
723	5197131	Complete control panel 1A+2B		261.31
724	6316264	5 pole cable connector		13.13
725	5197132	Complete control panel 2A high		498.33
726	6289552	Heater 10 KOHM		0.68
727	6245362	Pump connector L=1800		13.13
728	6281545	Replacement rear insulat. kit		26.31
729	6323896	14 pole cable connector		0.0
730	6323898	4 pole cable connector		13.37
731	6319700	Springs / clamps kit DIN		18.22
732	6319179	Modul.pump 3 pole female connec	TO SN 4936300681	0.0
733	5200902	Complete control panel	FROM SN 4936300682	0.0
734	6329454	9+5+4 pole cable connect. CN	FROM SN 4936300682	0.0
735	6329462	3 pole cable connector CN	FROM SN 4936300682	0.0
736	6274343	Silicone mixer flap		2.86

A = Spare parts for minimum fittings